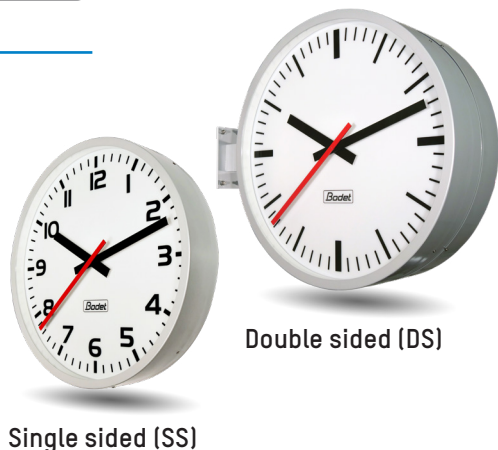


DESCRIPTION

- Analogue clock for indoor and outdoor use.
- Hour-Minute or Hour-Minute-Second display depending on the model.
- Dial diameter: 50 cm, 60 cm, 80 cm.
- Optimal viewing distance: 50 m (P750), 60 m (P760), 80m (P780).
- Dial markings: arabic figures or minute notches or DIN.
- Models: 24V minute impulse, AFNOR and NTP.



Single sided (SS)

Double sided (DS)

COMPLIANCE

- Directive EMC 2014/30/EU
- Directive LVD 2014/35/EU

MECHANICAL FEATURES

- **Case**..... Aluminium (grey, RAL 9006).
- **Type of glass**..... Heat-tempered glass or anti-vandalism polycarbonate lens (option).
- **Protection index**..... IP54 / (IP65 option) - Heat-tempered glass : IK08 / Polycarbonate lens : IK09.
- **MTBF**..... 100 000 heures.
- **Operating temperatures**..... -20°C to +55°C.
- **Dimensions**..... See on the back.
- **Weight**..... See below.
- **Relative humidity**..... 85% non condensing.

Models*	Tempered glass	Polycarbonate
Profil 750	SS: 8,1 kg / DS: 13,3 kg	SS: 7,1 kg / DS: 11,3 kg
Profil 760	SS: 11 kg / DS: 17 kg	SS: 9,5 kg / DS: 14 kg
Profil 780	SS: 16,3 kg / DS: 28 kg	SS: 13,7 kg / DS: 22,8 kg

* Single sided : ± 0,2 kg - Double sided : ± 0,4 kg depending on the type of movement.

ELECTRICAL CHARACTERISTICS

Models	Power supply	Protection level	Max. consumption	
			Movement	Lighting (230V~)
Minute 24 V	-	-	-	SS: 25W / DS: 50w
AFNOR	230 V~	Class 1	15 mA	SS: 25W / DS: 50w
NTP	230 V~	Class 1	SF : 0,3-0,2A / DF : 0,45-0,25A	SS: 25W / DS: 50w
NTP	Power Over Ethernet (PoE)	Class 1	-	SS: 25W / DS: 50w

MOVEMENTS AND SYNCHRONISATION

• 24V minute impulse

Slave clocks are connected to a distribution line and activated through electrical impulses sent every minute by the master clock.

• AFNOR

The coded time distribution consists in transmitting a complete time message every second: the setting on time of the receivers is realised automatically and immediately after connection to the clock line.

The AFNOR coded time does not transmit interference and is insensitive to other electrical interference.

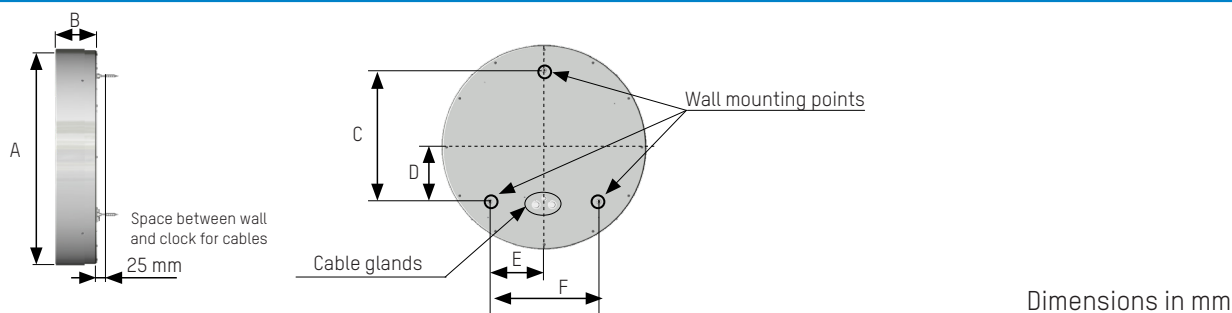
• NTP (Network Time Protocol)

Slave clocks are connected to the Ethernet network and powered by power supply 230V~ or by PoE.

Time synchronisation is provided by the time server or the master clock over the Ethernet network using the NTP protocol in unicast, multicast or DHCP mode. The clocks are supervised by the SNMP protocol to monitor their proper functioning.

PROFIL 750-760-780

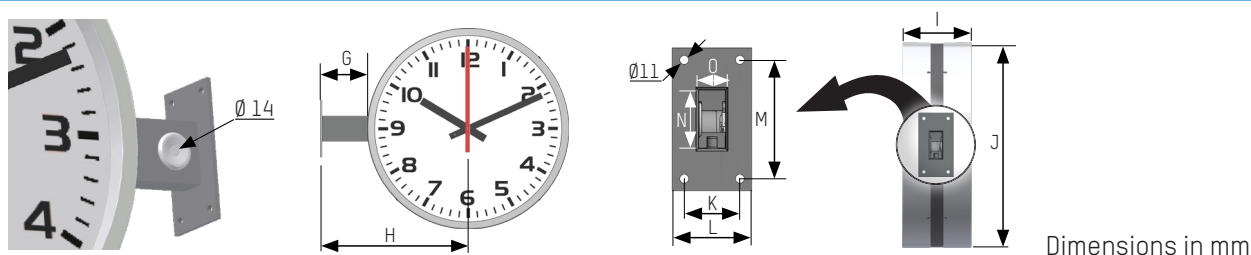
DIMENSIONS - SINGLE-SIDED



Dimensions in mm

	A	B	C	D	E	F
Profil 750	540	125	325	135	135	270
Profil 760	640	125	410	170	170	340
Profil 780	840	125	570	230	250	500

DIMENSIONS - DOUBLE-SIDED



Dimensions in mm

	G	H	I	J	K	L	M	N	O
Profil 750	153	423	214	540	70	100	150	74	34
Profil 760	150	470	216	640	70	100	150	74	34
Profil 780	160	580	218	840	70	100	150	74	34

REFERENCES

		Profil 750		Profil 760		Profil 780	
MOVEMENT		SS	DS	SS	DS	SS	DS
24V MIN	Hour-Minute	948 11x	948 21x	948 31x	948 41x	948 51x	948 61x
AFNOR 230V~	Hour-Minute	948 12x	948 22x	948 32x	948 42x	948 52x	948 62x
AFNOR 230V~	Hour-Minute-Second	948 13x	948 23x	948 33x	948 43x	948 53x	948 63x
NTP 230V~	Hour-Minute	948 14x	948 24x	948 34x	948 44x	948 54x	948 64x
NTP 230V~	Hour-Minute-Second	948 15x	948 25x	948 35x	948 45x	948 55x	948 65x
NTP PoE	Hour-Minute	948 16x	948 26x	948 36x	948 46x	948 56x	948 66x
NTP PoE	Hour-Minute-Second	948 17x	948 27x	948 37x	948 47x	948 57x	948 67x

• Replace the «x» with the digit corresponding to the desired type of dial.

• **Lighting option:** add an «E» at the end of the reference.

Example : 948341E : Profil 760 NTP 230V~ arabic fig. with LED lighting.

[According to the reference « NTP PoE » or « NTP 230V~ », the movement is powered by PoE or by 230V but the lighting is always powered by 230V~].

• **Option anti-vandal:** add a «P» at the end of the reference to obtain a polycarbonate lens.

Example : 948341P : Profil 760 NTP 230V~ arabic fig. with polycarbonate lens.

• **Reinforced waterproofness:** IP65 option, add an «A» at the end of the reference.

• These options are cumulative (lighting reference first).

Example : 948341EPA : Profil 760 NTP 230V~ arabic fig. with LED lighting, anti-vandalism polycarbonate lens and reinforced waterproofness.

Dial types (x) :

1 = Arabic figures



2 = Min. notches



3 = DIN



ACCESSORIES

- 948 011..... Backup Battery 7x0 for single sided AFNOR model.
- 948 012..... Backup Battery 7x0 for NTP (single and double sided models) and double sided AFNOR model.
- 907 026..... DCF antenna.
- 907 048..... GPS-DCF PROG antenna.

Bodet

Non-contractual document. © 2022, Bodet Time & Sport. All rights reserved.

>> www.bodet-time.com <<

Ref.: 643R41B 01/22